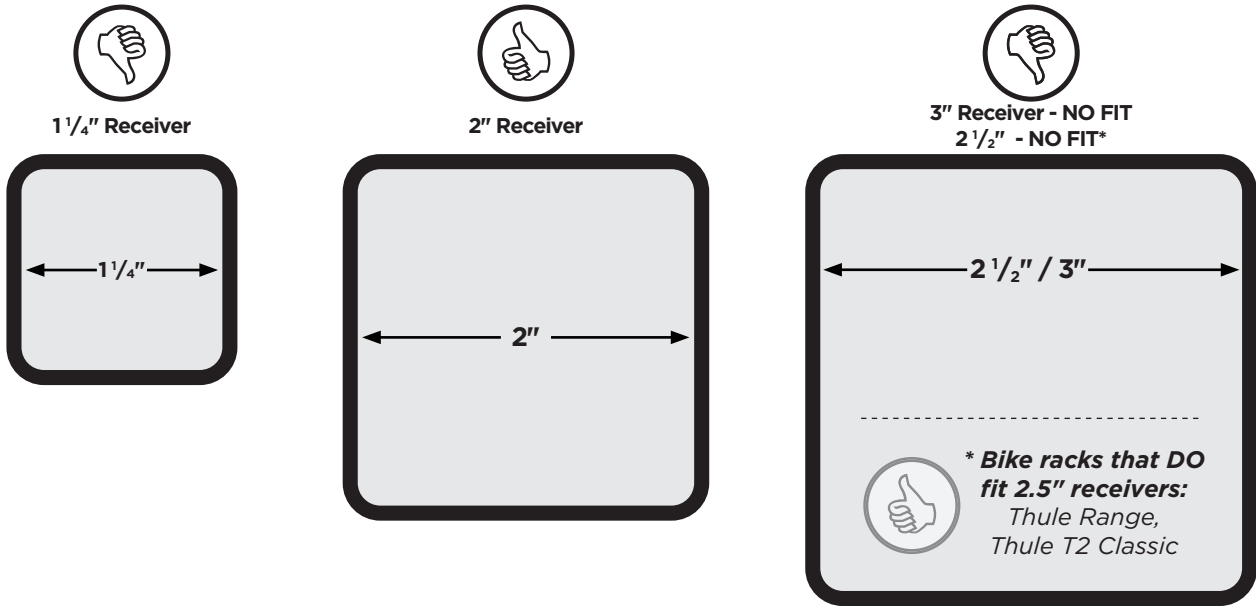
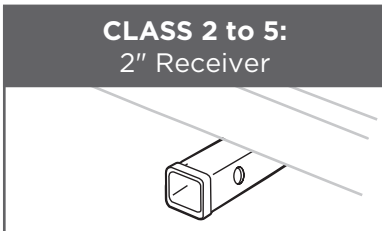


## Technical information

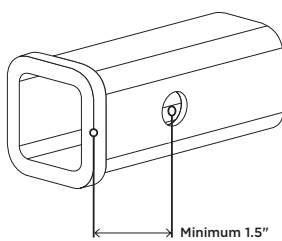
### What size is the consumer's hitch?



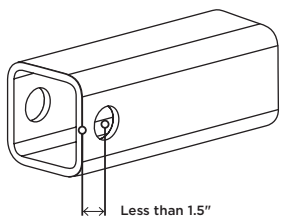
### What class is the consumer's hitch?



### Consumer's hitch pin hole depth?



All Thule hitch racks approved for use.



See chart to confirm if Thule hitch rack is approved for use.

PLATFORM	Hitch Rack	Pin Hole Depth Requirement
	<b>Thule ReVert</b>	
	9024500 (4B_2")	1.5"
	9026500 (6B_2")	1.5"

## Technical information

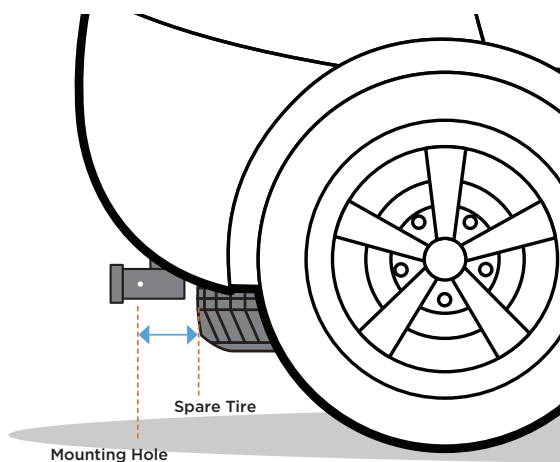
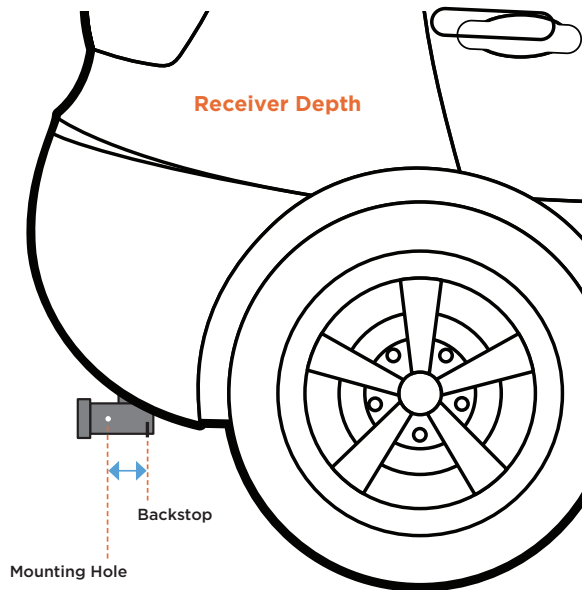
### Consumer's hitch receiver depth?

To ensure proper fit, it's important to know the depth of your receiver.

Determine this by doing the following:

- With a ruler inserted in the receiver, measure from the center of the hitch mounting hole to the point where you make contact with an obstacle. **This is your receiver depth.**
- If you do not contact a back-stop or your hitch receiver does not have a backstop, another potential point of contact could be an undercarriage-mounted spare tire or the undercarriage itself.
- Using the table in the next page, compare your measurement to see which hitch racks will work with your vehicle.

**Your receiver depth must be equal to or greater than the product measurement listed in the table for a proper fit.**



PLATFORM	Hitch Rack	Receiver Depth
	<b>Thule ReVert</b>	
	9024500 (4B_2")	2.55"
	9026500 (6B_2")	2.55"

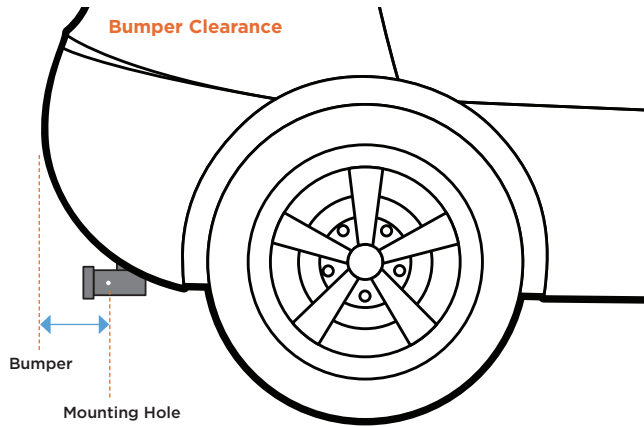
## Technical information

### Consumer's hitch bumper clearance?

Make sure your bumper will not interfere with the Thule hitch rack. Measure the distance from the center of the mounting hole on your hitch to the end of your bumper.

*This is your bumper clearance.*

Your bumper clearance must be equal to or less than the product measurement listed in the table for a proper fit.



PLATFORM	Hitch Rack	Bumper Clearance
	<b>Thule ReVert</b>	
	9024500 (4B_2")	12.9"
	9026500 (6B_2")	12.9"

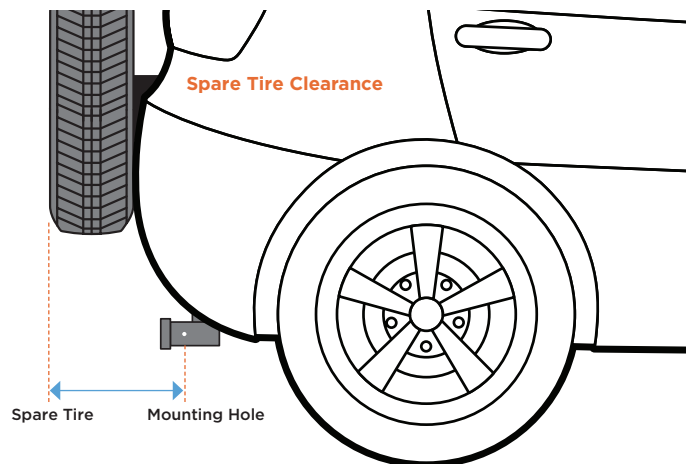
### Consumer's spare tire clearance?

If you have a spare tire on the back of your vehicle it may interfere with the installation of your Thule hitch rack. Measure the distance from the center of the mounting hole on your hitch receiver to the end of your spare tire.

*This is your spare tire clearance.*

Your spare tire clearance must be equal to or less than the product measurement listed in the table for a proper fit.

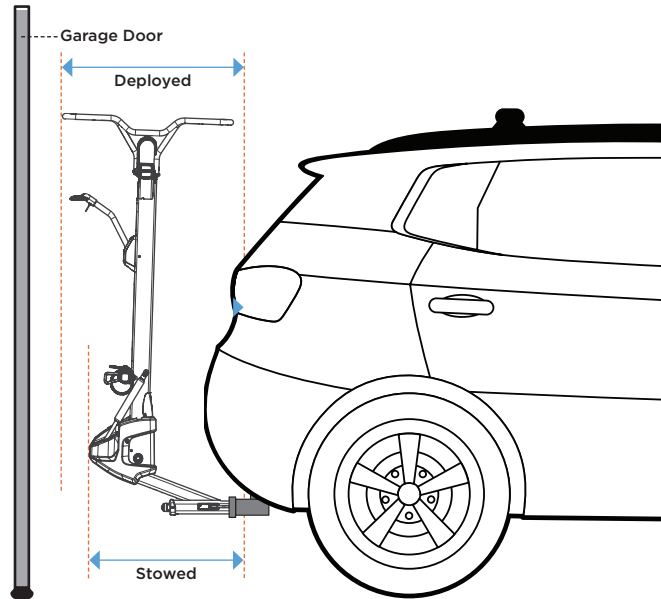
PLATFORM	Hitch Rack	Stowed Spare Tire Clearance	In-use Spare Tire Clearance
	<b>Thule ReVert</b>		
	9024500 (4B_2")	12.9"	-NA-
	9026500 (6B_2")	12.9"	-NA-



Consumer's garage clearance?

If you will be parking your vehicle in a garage with the rack mounted, you can use these measurements to help your determine if ther will be any interference issues with fitting your vehicke into your garage space with the rack in the stowed position or deployed position

Garage Clearance

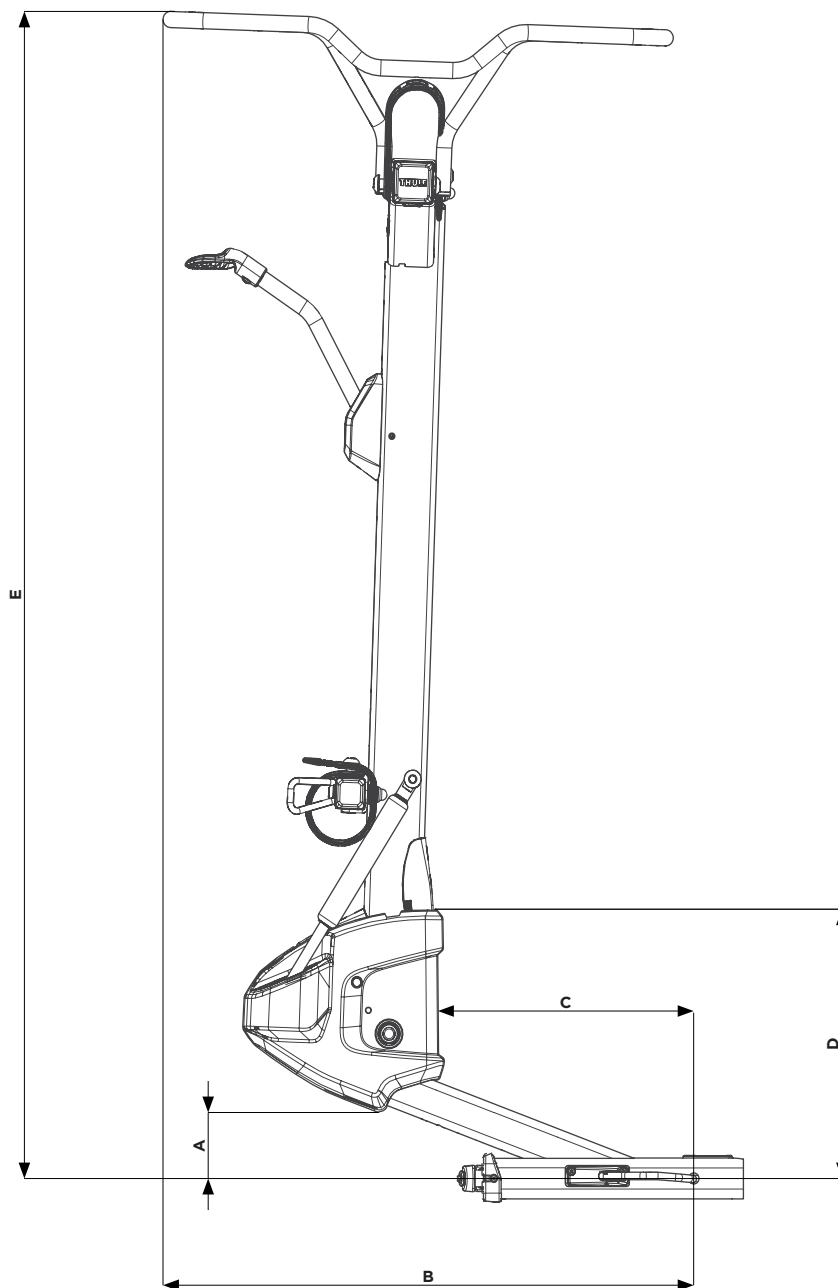


PLATFORM	Hitch Rack	Stowed Clearance	Depolyed Clearance
	<b>Thule ReVert</b>		
	9024500 (4B_2")	27.5"	-NA-
	9026500 (6B_2")	27.5"	-NA-

### Hitch dimensions

Through we design our hitch-mounted bike carriers to be as universal as possible, all vehicles are designed differently. These diagrams have been designed to help you better understand the “room” our hitch-mounted bike racks need to function properly.

### Tilt hitch racks



MODEL	A	B	C	D	E
<b>Thule ReVert</b>					
9024500 (4B_2")	3.2"	27.5"	12.9"	13.1"	56.6"
9026500 (6B_2")	3.2"	27.5"	12.9"	13.1"	56.6"